

NORTHERN TERRITORY OF AUSTRALIA

ENERGY PIPELINES REGULATIONS

TABLE OF PROVISIONS

Regulation

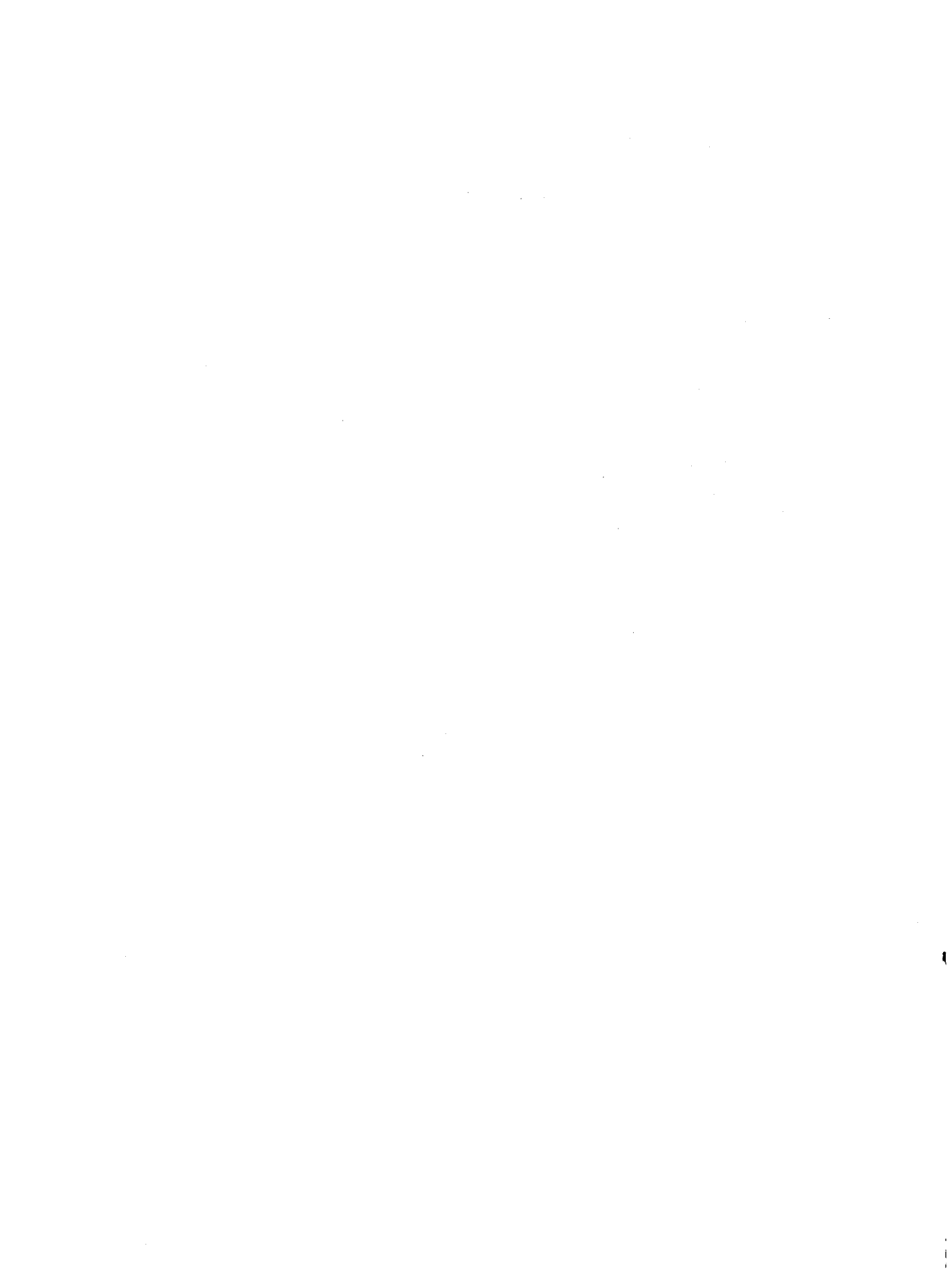
1. Citation
2. Interpretation
3. Permittee or licensee to comply with certain standards
4. Directions and instructions to be followed
5. Particulars prescribed by forms
6. Forms
7. Prescribed map
8. Prescribed plan
9. Licence fees
10. Prescribed fees
11. Prescribed manner of marking pipeline

SCHEDULE 1

SCHEDULE 2

SCHEDULE 3

SCHEDULE 4



NORTHERN TERRITORY OF AUSTRALIA

Regulations 1982, No. 49*

Regulations under the *Energy Pipelines Act*

I, ERIC EUGENE JOHNSTON, the Administrator of the Northern Territory of Australia, acting with the advice of the Executive Council, hereby make the following Regulations under the *Energy Pipelines Act*.

Dated this 6th day of August, 1982.

E.E. JOHNSTON
Administrator

ENERGY PIPELINES REGULATIONS

1. CITATION

These Regulations may be cited as the Energy Pipelines Regulations.

2. INTERPRETATION

(1) In these Regulations, "Australian Standard" means a standard for publication on behalf of the Council of the Standards Association of Australia, being the association of that name incorporated by Royal Charter.

(2) For the purposes of these Regulations -

(a) a reference to an Australian Standard or a Part of an Australian Standard published on a date specified in these Regulations shall be read as a reference to the Australian Standard or the part of the Australian Standard, as the case requires, approved for publication on that date; and

* Notified in the *Northern Territory Government Gazette* on 11 August, 1982.

Energy Pipelines

- (b) where an Australian Standard refers to another instrument, that instrument shall be deemed to be incorporated with, and form part of, the Australian Standard.

3. PERMITTEE OR LICENSEE TO COMPLY WITH CERTAIN STANDARDS

For the purposes of section 34 of the Act, a permittee or licensee shall design, construct, test, operate and maintain a pipeline in accordance with good industry practice and shall comply with the following prescribed standards:

- (a) Australian Standard 1697-1981, SAA Gas Pipeline Code published on 1 July 1981;
- (b) Australian Standard 2018-1981, SAA Liquid Petroleum Pipeline Code published on 1 August 1981;
- (c) Australian Standard 1979-1977, SAA Code for Field Pressure Testing of Pipelines published on 1 May 1977; and
- (d) Australian Standard 1958-1976 SAA Submarine Pipeline Code published on 15 January 1977.

4. DIRECTIONS AND INSTRUCTIONS TO BE FOLLOWED

A form in Schedule 2 shall be completed in accordance with such directions and instructions as are specified in the form.

5. PARTICULARS PRESCRIBED BY FORMS

Where a form prescribed by these Regulations requires completion by the insertion of information or some other matter, or requires the annexure of a document containing information or some other matter, that information or other matter is prescribed as the information or other matter required under the provisions specified in Column 1 of Schedule 1 for the purposes of which the form is prescribed.

6. FORMS

(1) Subject to these Regulations, where a provision is specified in Column 1 of Schedule 1, the form set out in Schedule 2, the number of which is specified in Column 3 of Schedule 1 opposite that provision in Column 1, is prescribed as the form to be used for the purposes of that provision in relation to the matter or thing described in Column 2 of Schedule 1 opposite that provision.

Energy Pipelines

(2) In these Regulations, a reference to a form by number is a reference to that form in which bears that number in Schedule 2.

7. PRESCRIBED MAP

For the purposes of section 5(2)(c) of the Act, a prescribed map is a map published by the National Mapping Authority with a relative scale of not less than 1:250,000.

8. PRESCRIBED PLAN

For the purposes of section 13(3)(c) of the Act, a prescribed plan shall be drawn at a relative scale of not less than 1:250,000 with the position of the proposed route of the pipeline identified by means of a centre line and a corridor with each change of direction noted and identified by reference to its latitude and longitude or by reference to the Australian Mapping Grid Value.

9. LICENCE FEES

For the purposes of section 30(1) of the Act, the unit amount prescribed is 35 cents.

10. PRESCRIBED FEES

The fees payable for the purposes of the Act are the fees specified in Schedule 3 in relation to the respective matters so specified.

11. PRESCRIBED MANNER OF MARKING PIPELINE

For the purposes of section 39 of the Act, the route of a pipeline shall be marked in accordance with the signs and manner specified in Schedule 4.

Energy Pipelin s

SCHEDULE 1

Regulation 6

LIST OF FORMS

Column 1	Column 2	Column 3
Provision of the Act	Description of form	No. of form
Section 6	Notice of application for permit	1
Section 8	Grant of permit	2
Sub-section 19(2)	Grant of licence	3
Sub-section 46(3)	Instrument of transfer	4

Energy Pipelin s

SCHEDULE 2

FORM 1

Regulation 6

Energy Pipelines Act

NOTICE OF APPLICATION FOR PERMIT

Full name and address of applicant

.....

do hereby serve notice to

..... (Council)

or (owner of land)

or (occupier of land)

that application has been made to the Minister of Mines and Energy under section 5 of the *Energy Pipelines Act* for a permit to enter land for the purpose of determining the route of the proposed pipeline for the conveyance of, the situation of proposed apparatus or works and the land, if any, to be used for the purpose of gaining access to the proposed pipeline and proposed apparatus or works.

Notice is hereby given that:

- (i) the approximate route of the proposed pipeline is as shown on the accompanying map.
- (ii) the approximate situation of proposed apparatus or works, if known, is as shown on the accompanying map.
- (iii) the land owned and/or occupied by (council/owner/occupier) which the applicant desires to enter to determine the land which might be used for the purpose of gaining access to the proposed pipeline and proposed apparatus or works is as follows:

.....

(Title Number)

.....

(Title Number)

Energy Pipelines

SCHEDULE 2

FORM 1 (continued)

.....
(Title Number)

.....
(Title Number)

Dated this day of , 19

.....
Applicant

INSTRUCTIONS

If space is insufficient for Title Numbers applicant to attach list on separate sheets.

The plans accompanying this notice shall be listed hereunder and each document shall be endorsed "Document accompanying Notice of Application for Permit dated" and shall be signed by the applicant.

Energy Pipelines

SCHEDULE 2

FORM 2

Regulation 6

Energy Pipelines Act

GRANT OF PIPELINE PERMIT

Number

I,
Minister for Mines and Energy for the Northern Territory,
in pursuance of section 8 of the *Energy Pipelines Act*,
authorize
.....
of
for the period from to
to enter land for the purpose of determining the route of
the proposed apparatus or works and the land, if any, to
be used for the purpose of gaining access to the proposed
pipeline and proposed apparatus or works.

This permit is subject to the provisions of the *Energy Pipelines Act* and any other Acts that apply to this permit and the regulations made under those Acts. This permit applies only to those lands specified in the Application for Pipeline Permit and the documents accompanying that application.

Dated at this day
of, 19...

.....
Minister for Mines and Energy

Energy Pipelines

SCHEDULE 2

FORM 3

Regulation 6

Energy Pipelines Act

PIPELINE LICENCE

Number

I,
Minister for Mines and Energy for the Northern Territory,
in pursuance of section 15 of the *Energy Pipelines Act*,
authorize
of
for the period from to
to construct, operate and maintain a pipeline for the
conveyance of
from to
along the route and within the licence area on the plans
annexed hereto.

This licence is subject to the provisions of the *Energy Pipelines Act* and any other Acts that apply to this licence and the regulations made under those Acts. The pipeline shall be constructed, operated and maintained in accordance with the specification and conditions set out in the Schedule to this licence.

SCHEDULE

Dated at this day
of, 19...

.....
Minister for Mines and Energy

Energy Pipelin s

SCHEDULE 2

FORM 4

Regulation 6

Energy Pipelines Act

INSTRUMENT OF TRANSFER OF LICENCE

TO THE MINISTER FOR MINES AND ENERGY, NORTHERN TERRITORY
.....(name of transferor)
being the holder of licence number granted
by the Minister on the day
of 19..., in terms of the *Energy
Pipelines Act*, in consideration of
.....
the receipt of which is hereby acknowledged, hereby
transfers

*Insert name of transferee to *

*Insert address of transferee of *

called "the transferee", all right, title and interest in the licence and the transferee hereby accepts the transfer, subject to the *Energy Pipelines Act* and the regulations made thereunder, and the transferee hereby agrees to be bound by the terms and conditions of the licence.

In witness whereof the parties hereto have executed these presents this day of 19....

.....
Witness

.....
Signature of Transferor

(If a corporation, to be executed under its common seal.)

Energy Pipelines

SCHEDULE 2

FORM 4 (continued)

.....
Witness	Signature of Transferee

I approve the above transfer.

Dated this day of, 19...

.....
Minister for Mines and Energy

I have this day of, 19.., at
the hour of o'clock in the noon,
registered the tranferee as the holder of licence number
.....

.....
Registrar

Energy Pipelines

SCHEDULE 3

Regulation 10

Energy Pipelines Act

FEES

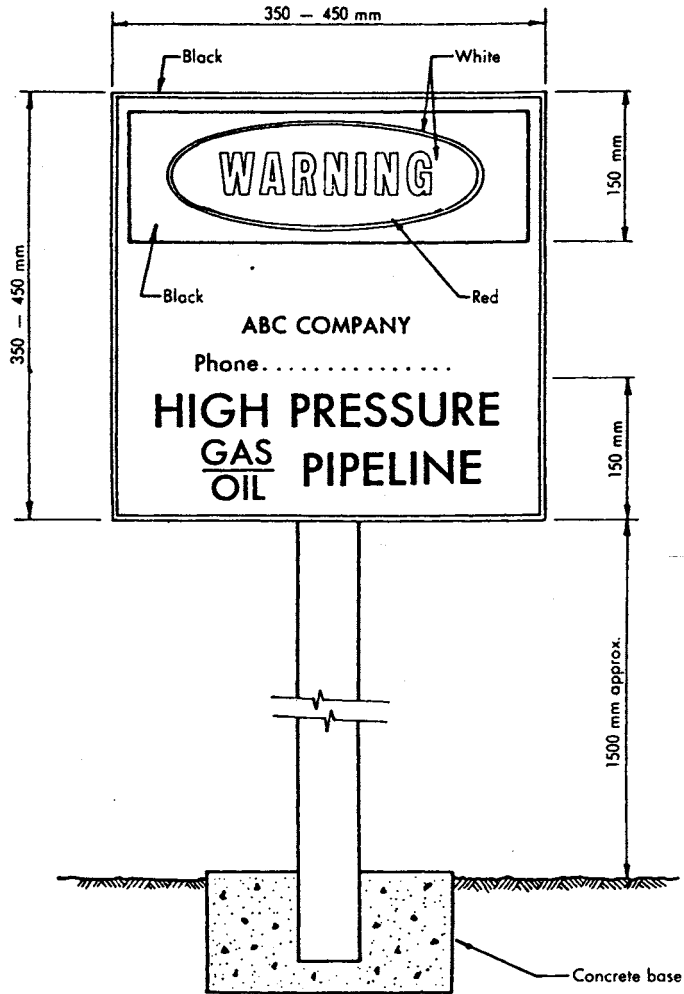
	\$
1. On making an application under section 5 of the Act for a permit	250
2. On making an application under section 13 of the Act for a licence	1,000
3. On making an application under section 16 of the Act for a renewal	100
4. On making an application under section 20 of the Act for variation of a licence ..	100
5. For the entry in the register of a memorandum of transfer under section 46(9) of the Act	100
6. For the entry in the register of a memorandum of approval under section 49(8) of the Act	100
7. On making an inspection under section 54(1) of the Act	5
8. For a copy document or extract from the register under section 55(2) of the Act - per page	10
9. For a certificate under section 55(3) of the Act	50

Energy Pipelines

SCHEDULE 4

Regulation 9

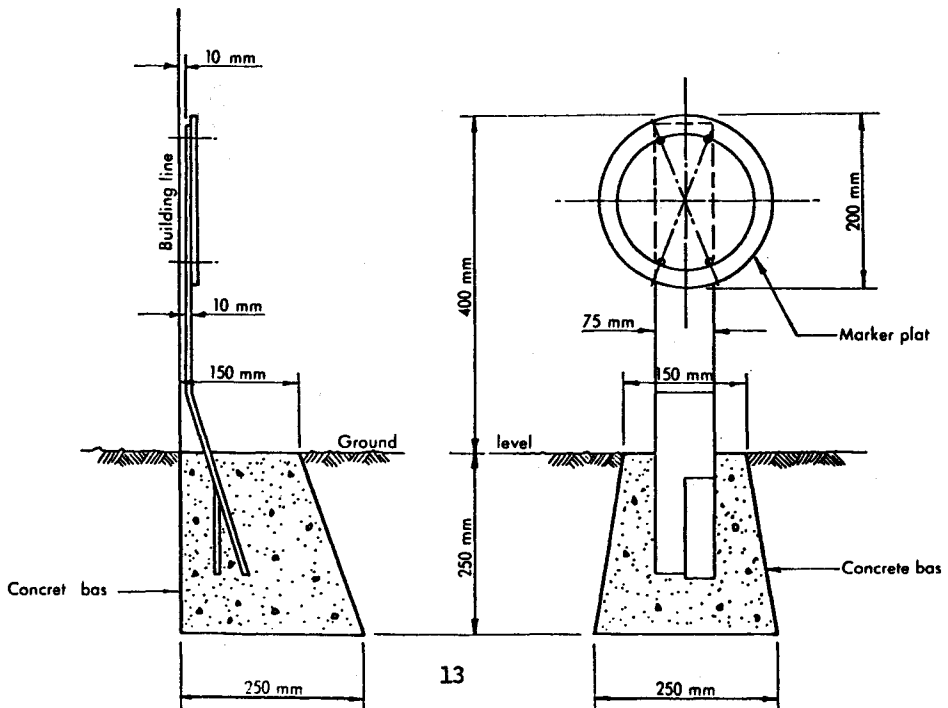
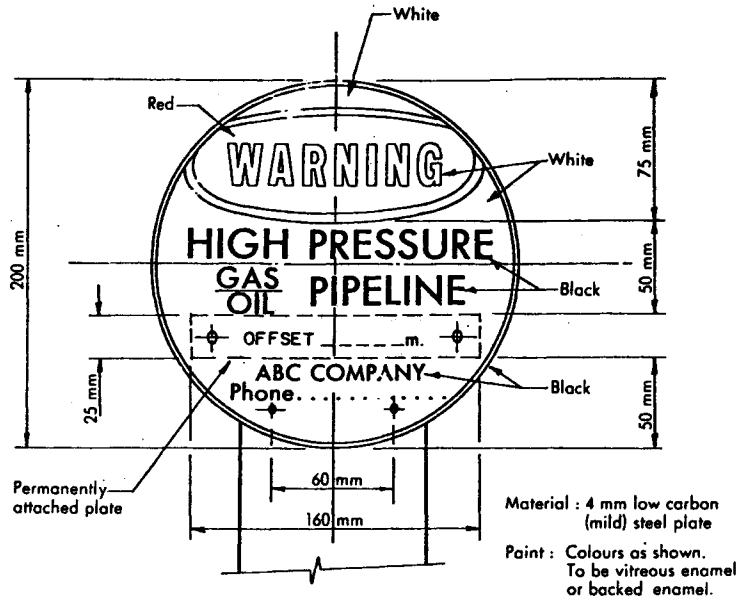
FIGURE I



Energy Pipelines

SCHEDULE 4

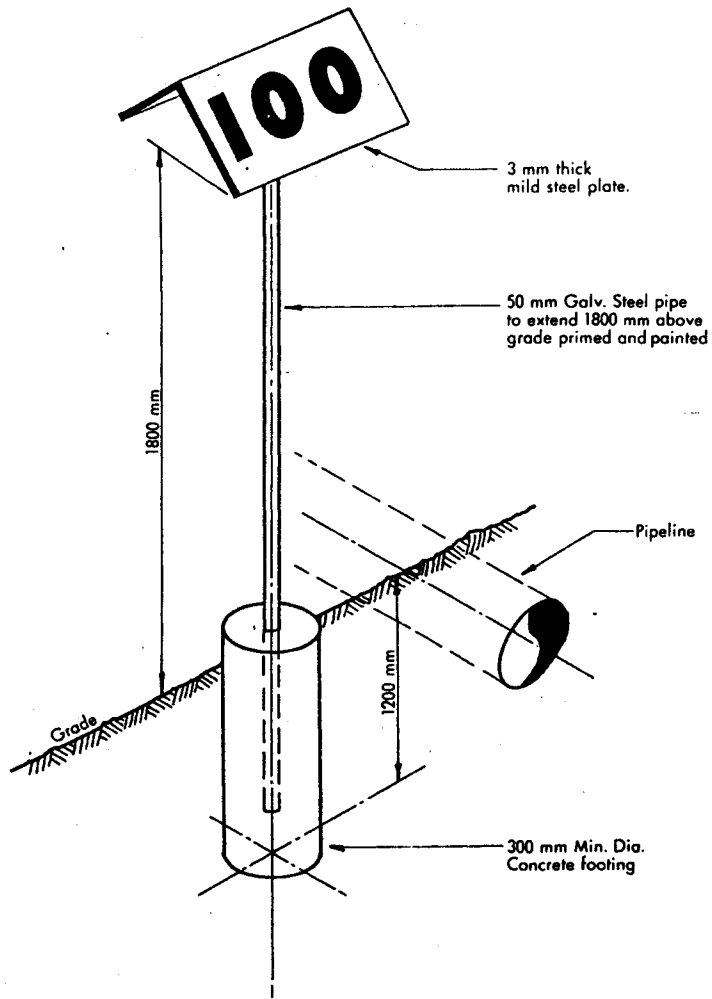
FIGURE II



Energy Pipelines

SCHEDULE 4

FIGURE III



AERIAL MARKER
(Not to Scale)